

# *The bird stops here!*

## **The "Low Profile" No Nest Vent**

### **We have tested them all, but the problems continued**

- Vents with one-piece flap  
Opening with their beaks, birds quickly build a nest for a well heated home
- Vents with 3 or 4 louvers or flaps  
Birds find these as easy to open as the standard one-piece flap and been known to knock the louvers right out  
Lint buildup caused unreliable louver closure allowing drafts and easier entry for birds
- Vents with screen, floating shuttle, or add-on guards for existing vents  
Require weekly or monthly cleaning of lint buildup  
Lint buildup reduces dryer efficiency and creates a fire hazard

### **Low profile outer door (Patent Pending)**

- Dryer exhaust air blows doors open easily for improved efficiency
- Reduced drying time results in **ENERGY SAVINGS**
- Outer door insures positive inner door closure to reduce drafts

### **Proven bird proof inner door (Patent Pending)**

- Special deep section, balanced door design  
Must swing an excessive distance, making it difficult for birds to open far enough to gain entrance
- Tested in bird infested areas with 100% success with annual cleaning
- No lint collecting screens that create a fire hazard and reduce dryer efficiency

### **Durable U/V stable polypropylene material**

- Resists cracking from impact of lawn sports and maintenance

### **Easy installation**

- Four concealed (under the hood) screws
- New construction or replacement/service installation

### **Molded in 3 colors**

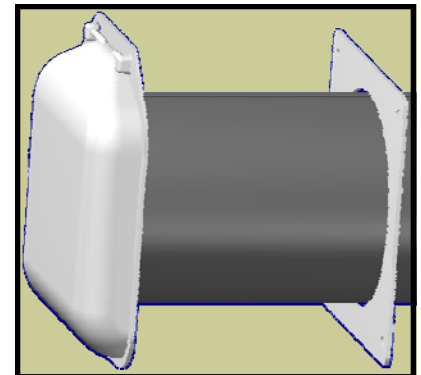
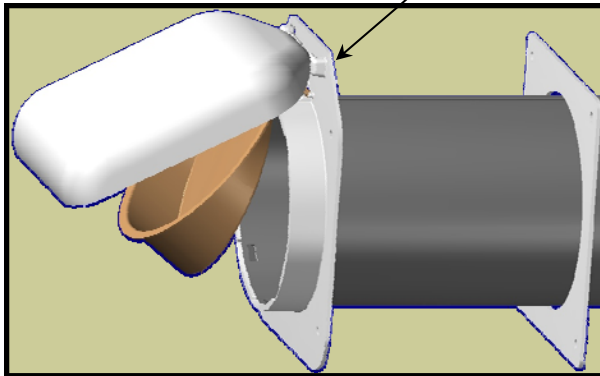
- White
- Tan
- Brown

### **Annual Maintenance**

Inspect for and remove excessive lint buildup.

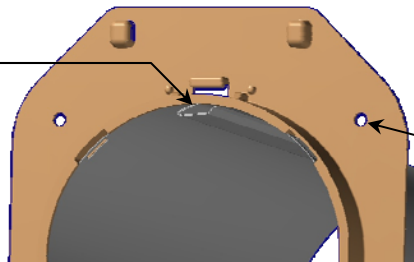
### **Note...**

Mounting plate must be mounted vertically or slightly tipped back at top so that doors close completely when dryer is not in use.



### **Attention!**

Insert pipe with seam at top to avoid interference with door.



### **Caution!**

**OVER-TIGHTENING** screws may distort mounting plate and create an uneven seal for doors.

# The bird stops here!

## The "Original" No Nest Vent

### We have tested them all, but the problems continued

- Vents with one-piece flap  
Opening with their beaks, birds quickly build a nest for a well heated home
- Vents with 3 or 4 louvers or flaps  
Birds find these as easy to open as the standard one-piece flap and been known to knock the louvers right out  
Lint buildup caused unreliable louver closure allowing drafts and easier entry for birds
- Vents with screens, floating shuttle, or add-on guards for existing vents  
Require weekly or monthly cleaning of lint buildup  
Lint buildup reduces dryer efficiency and creates a fire hazard

### Proven bird proof door (Patent Pending)

- Special deep section, balanced door design  
Must swing an excessive distance, making it difficult for birds to open far enough to gain entrance
- Tested in bird infested areas with 100% success with annual cleaning
- Reliable closure to eliminate drafts
- Door opens freely for adequate venting
- No screens that plug up with lint reducing dryer efficiency and create a fire hazard

**Annual Maintenance**  
Inspect for and remove excessive lint buildup.

### Removable hood (Patent Pending)

- Making annual duct work cleaning a breeze
- Two ways to install  
Slides on and off from the top  
Snaps on and off from the front if installation clearances are limited (siding j-box)

### Durable U/V stable polypropylene material

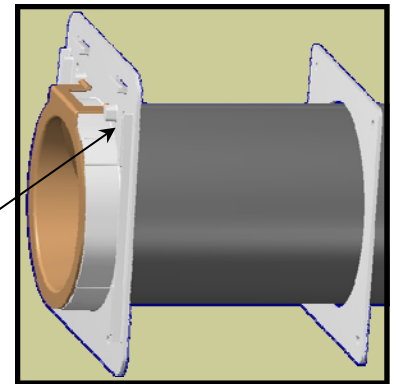
- Resists cracking from impact of lawn sports and maintenance

### Easy installation

- Four concealed (under the hood) screws
- New construction or replacement/service installation

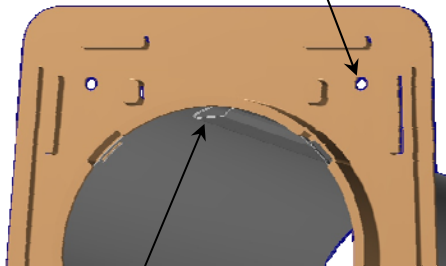
### Molded in 3 colors

- White
- Tan
- Brown



**Note...**  
Mounting plate must be mounted vertically or slightly tipped back at top so that the door closes completely when dryer is not in use.

**Caution!**  
OVER-TIGHTENING screws may distort mounting plate and create an uneven seal for door.



**Attention!**  
Insert pipe with seam at top to avoid interference with door.

